



**“The ONLY Roller Shutter
With Adjustable Slats. More
Than Just A Roller Shutter”**

ROLLER SHUTTER LOUVER WINDOWS

Contact us now for more information on Thailand +66 2 457 2928 or visit us at <http://www.kssthailand.com>

<http://www.kssthailand.com>

Roller Shutters With Adjustable Slats

NEW to Thailand and manufactured by KSS only these Roller Shutters combine the functions of a traditional Roller Shutter with an Adjustable Louver. These Roller Shutter Louvers allow you to have the security and protection of a traditional shutter and also change the function to a louver to allow light and air into the room.



“A Roller Shutter With Adjustable Slats”



Close the Roller Shutter Louver the same way a standard roller shutter operates



Fully closed the shutter provides excellent privacy and security.



The shutter slats can then be OPENED like a standard louver to provide light and air flow.

Slats can be opened and closed by remote control. All slats are adjustable by 110 degrees.



KSS Brand new Roller Shutter with Adjustable Slats is a unique product which combines the security of a roller shutter and the benefits of a louver.

The Adjustable slats can be opened up to 110 degrees and all operations are controlled by a simple remote control. All operations are smooth and silent.

The sleek, modern design is ideal for situations where security and practicality are required without compromising style and design.

Our Roller Shutter Louver can be installed into almost any property and is simple to fit. Once installed the Roller Shutter Louver does not require any maintenance and comes with a full warranty supplied by KSS Thailand.



“Sleek Modern Designs To Compliment Your Property”

Contact us now for more information on Thailand +66 2 457 2928 or visit us at <http://www.kssthailand.com>



The Roller Shutter Louver allows you to adjust slats to the desired position to allow light and air to enter the room.

Roller Shutter Louvers are ideal for installations which require a flexible solution as well as security.

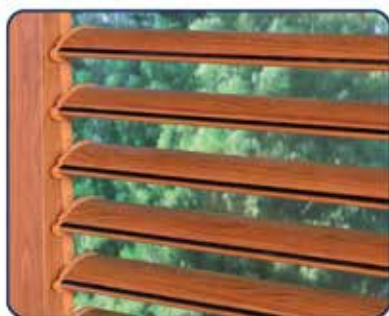
The Roller Shutter Slat is manufactured in High Grade Aluminium and all parts have been carefully designed to provide reliable, quiet operation.

Our Roller Shutter Louvers are made in Thailand and come with our unique KSS Warranty.

**“Available in our
Special Range Of
Colours or Wood
Effect”**



**If you find a better price we
will beat it Guaranteed!**
Terms & Conditions Apply



**“High Quality Design With
Full Warranty”**



Choose Your Colour & Style.

KSS Roller Shutter Louvers are available in a range of standard colours and designs including the unique wood effect. If you have a special requirement we can also produced in any colour you require according to the international RAL Colour Guide.

Contact us now for more information on Thailand +66 2 457 2928 or visit us at <http://www.kssthailand.com>



Close the Roller Shutter Louver the same way a standard roller shutter operates



Fully closed the shutter provides excellent privacy and security.



The shutter slats can then be OPENED like a standard louver to provide light and air flow.

Slats can be opened and closed by remote control. All slats are adjustable by 110 degrees.

“More Than An Adjustable Blind.... An Adjustable Roller Shutter”



Contact us now for more information on Thailand +66 2 457 2928 or visit us at <http://www.kssthailand.com>

KSS presents an effective and innovative synthesis of two products: the roller shutter and the louver blind with adjustable slats. Like a roller shutter it can be opened and closed and like a louver blind it can adjust the slats to let in light and air.



Fully Adjustable

The system offers precision control of all the shutter allowing infinite options. Slats can be rotated 110 degrees and is the ONLY product of its kind.



Modern Design

The design of the roller louver with its neat sober lines makes a real architectural and aesthetic pleasing element. Sleek modern designs to fit into your property



Large Dimensions

The Slats have been designed to reduce bending which allows the shutter louver to be installed in large openings with a single span without the aid of additional kits. Standard widths up to 2300mm (larger are available on request).



Home Automation / Easy Control

The roller louver blind and slats are controlled by a single motor operated by a push button panel on the wall or remote control. The shutter can be easily interfaced with other home automation systems.



Silent Operation

Thanks to the new internal mechanism, the simultaneous opening of the slats ensures unparalleled silent operation.



Simple Installation

The roller louvers can be installed very easily with existing windows also allowing the replacement of traditional blinds in building renovation. The compact dimensions allow the use of concealed shutter boxes, both traditional and new-concept models with high thermoacoustic performance.



Secure

The rolling and orienting mechanism prevents lifting of the roller louver and manual rotation of the slats without additional kits.



Easy Cleaning & Maintenance

The high quality parts ensures years of reliable operation with minimal maintenance. The high degree of orientation of the adjustable slats allow easy and fast cleaning.



Sun Block

The new mechanisms ensures the same level of darkening as a standard blind.



Wind Protection

The roller louver is resistant to wind load to EN 1932: Class 6



Colour Range

The roller louver is available in all RAL colours to suit your needs. We also offer decorative effects such as wood pattern. Slat supports are available in 12 colours.

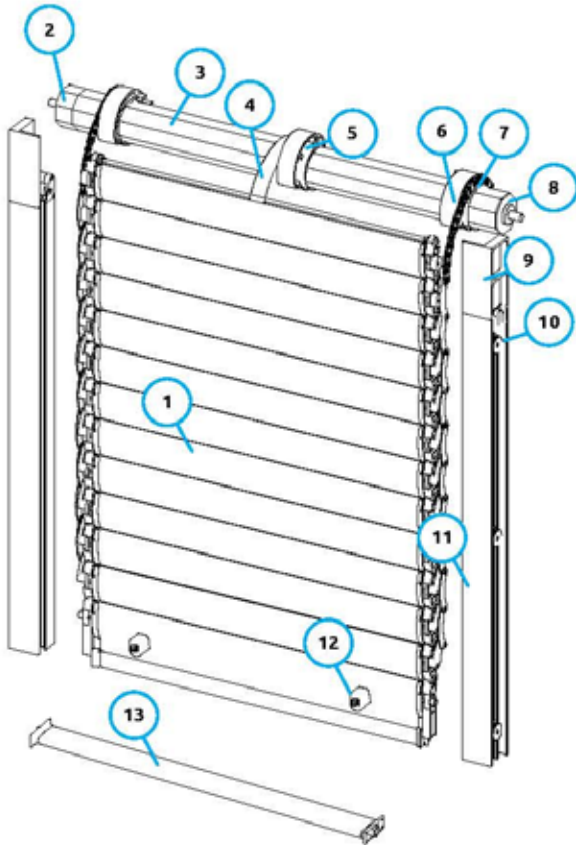


Long Lasting

All internal components are made of materials such as stainless steel, resistant both in sea and urban environments. The mechanism for moving the roller louver blind prevents the slats from ever coming in contact with one another when rolling to avoid scratching.

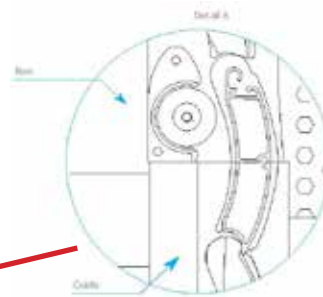
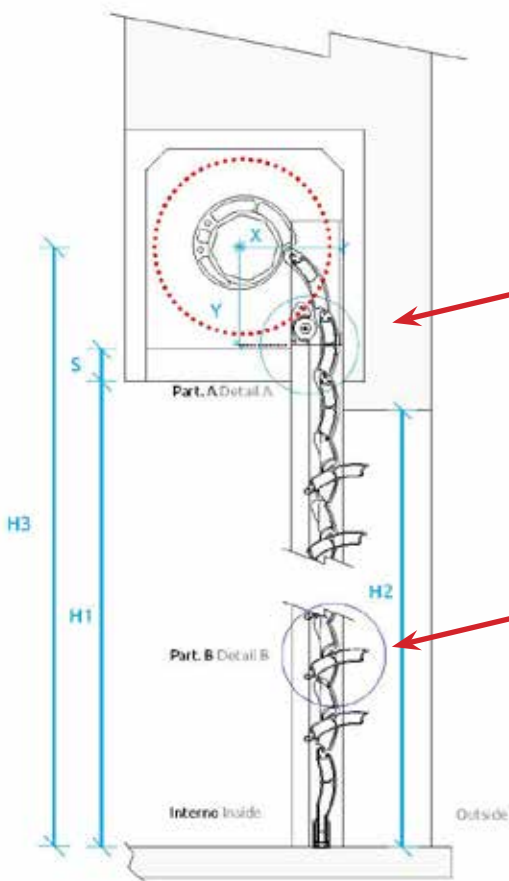


Technical Information

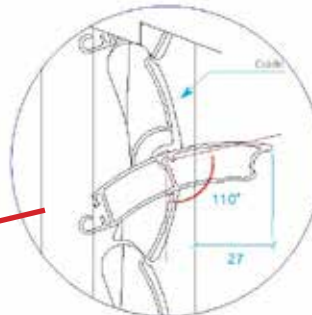


- Side guide profiles in extruded aluminum alloy.
- Slat profiles in extruded aluminium connected to the tilting mechanism by nylon components with added fiberglass.
- Extruded PVC gaskets inserted into each slat profile.
- Tilting mechanism components manufactured from nylon, fiberglass and stainless steel.
- Compensator profile in extruded aluminum forming the bottom part of the blind along with the positioner profile.
- Nylon brush under positioner profile.
- Winding tube in galvanised steel with 60mm diameter supported by aluminum and fiberglass parts.
- Terminal chain for connecting winding tube to the blind.
- Stainless steel screws
- Electric motor has built in limit switch and thermal cutout.

- | | |
|---------------------------|----------------------|
| 1. Blind Section | 8. Winding Tube Plug |
| 2. Electric Motor | 9. Insert |
| 3. Winding Tube | 10. Rule |
| 4. Strap Fastener | 11. Guide |
| 5. Central Winding Roller | 12. Safety Catch |
| 6. Side Winding Roller | 13. Template Plug |
| 7. Terminal Chain | |



Detail A : The guides are inserted into the bottom of the shutter

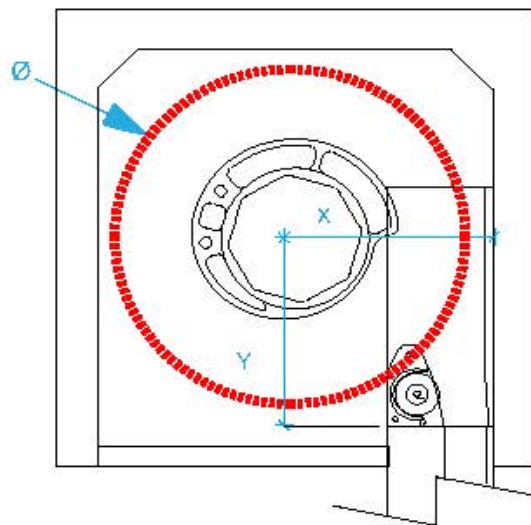


Detail B : The external dimensions of the slats in maximum tilting position (110 Degree) is 27mm beyond the guide. On the inside the slats never protrude beyond the guide so the internal window can even rest against the guide.

- H1 = Height of internal area below box.
- H2 = Height of actual opening.
- H3 = Height between base and center axis of winding tube.
- S = Thickness of bottom plate of box.

Technical Information

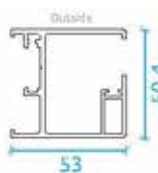
H1	Ø	X	Y
1200	195	108	120
1400	215	118	120
1600	220	120	120
1800	235	128	120
2000	250	135	120
2200	252	136	130
2300	255	138	130
2400	265	143	130
2500	275	148	130
2600	285	153	140
2700	290	155	140
2800	295	158	150



Ø = Diameter of Winding Shutter

X = Distance of the winding tube axis from the outer edge of the guide.

Y = Distance of the winding tube axis from the upper end of the guide.



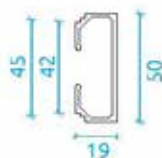
KSS-TK1401
Guide Profile
Weight : 1.81 kg/m



KSS-TK1404
Positioner Profile
Weight : 0.210 kg/m



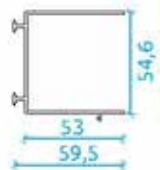
KSS-TK1402
Slat Profile
Weight : 0.469 kg/m



KSS-TK1406
Sub frame Profile (Non embedded Guide)
Weight : 0.592 kg/m

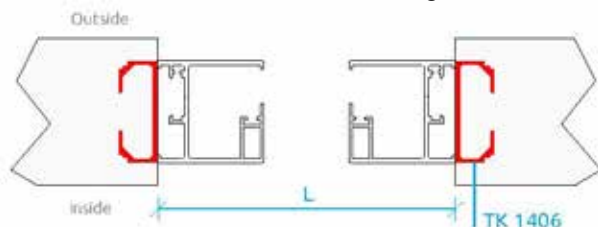


KSS-TK1403
Compensator Profile
Weight : 0.620 kg/m



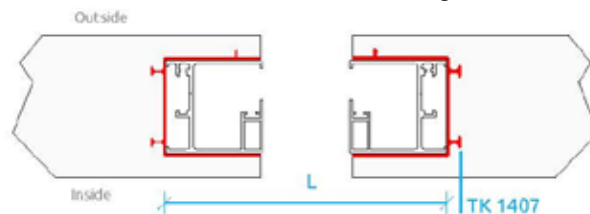
KSS-TK1407
Sub frame Profile (Embedded Guide)
Weight : 0.749 kg/m

Standard Guide Fixing



L = Opening Width

Embedded Guide Fixing



Blind Weight = Approximately 8.5 kg/m²
Number of Slats Per Meter of Height = 16.3
Slat / Slat wheelbase: 61mm

Minimum Shutter Width = 500mm
Maximum Width = 2300mm / 3000mm Special Order
Voltage = 220 / 240v AC

The Roller Louver is controlled by a simple remote control or internal switch. The roller louver is fully motorised and uses 220/240v AC. All parts are insulated for electrical safety.

Contact us now for more information on Thailand +66 2 457 2928 or visit us at <http://www.kssthailand.com>



Thailand's Leading Supplier Of:

Roller Shutter Doors & Windows
Sectional Garage Doors
Horizontal Shutters & Motorized Shades
Steel Buildings
Steel Roofing
Fiberglass Roofing
Custom Steel & Fiberglass Projects

KSS Group Co. Ltd.
1/206 Bang Waek, Bang Pai, Bang Khae,
Bangkok. 10160 Thailand.

Telephone +66 2 457 2928 / +66 81 913 0093
(Thai / English)
Website: [Http://www.kssthailand.com](http://www.kssthailand.com)
E-mail: info@kssthailand.com



Contact us now for more information on Thailand +66 2 457 2928 or visit us at <http://www.kssthailand.com>

QR CODE:
SCAN ME WITH YOUR SMARTPHONE